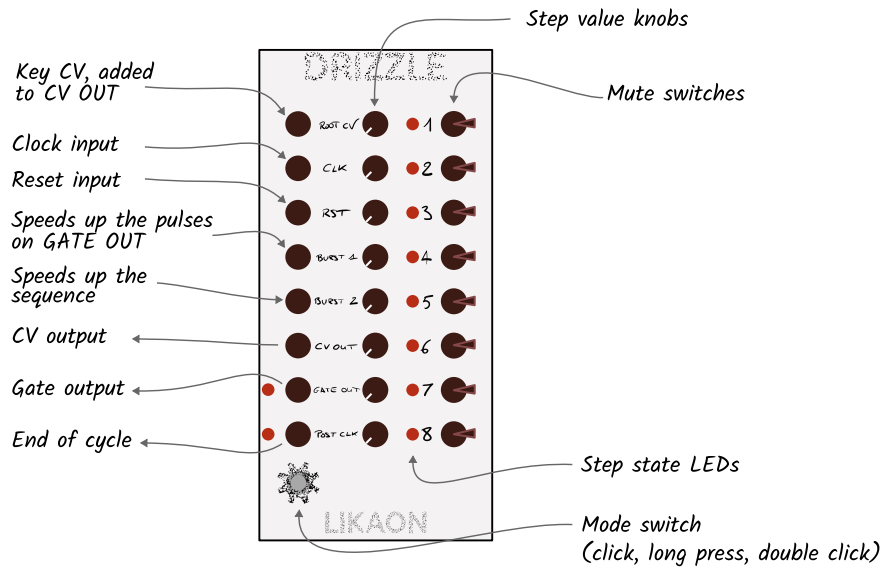


# DRIZZLE

Likaon Instruments

Drizzle is an 8 steps CV sequencer offering cool playing modes and modulation possibilities.



## Operating the module

Drizzle is driven with an external clock. The sequencer jumps to the step 1 when it receives a trigger on its RST input.

Adjust the CV for each step with the corresponding knob.

## Selecting modes

*Click*: change direction

By default, the sequence plays from top to bottom.

Clicking the button cycles between the following:

- Top to bottom
- Bottom to top
- Ping-pong
- Random

*Long press*: toggle looping mode

A long press on the button cycles between loop and single shot (chained mode). In the chained mode, the sequence is played, and when it's done, there is no automatic reset. All the input clock pulses are redirected to the POST CLK output, which allows chaining. A trigger on the RST input re-enables the sequencer.

*Double click* : toggle mute buttons behavior

A double click switches between the following behaviors :

- A muted step is played, but the output gate is not set to high
- A muted step is skipped, i.e. the next active step is directly played